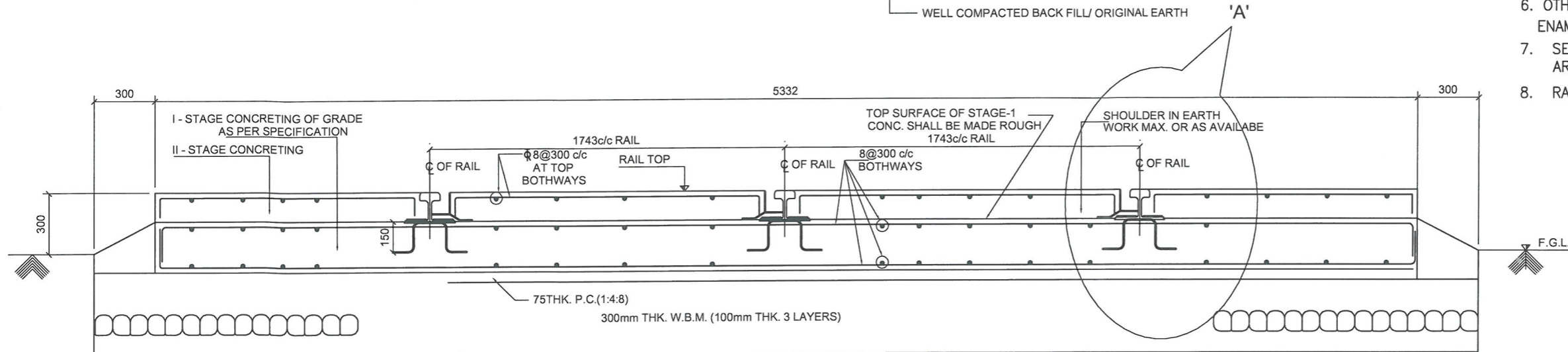
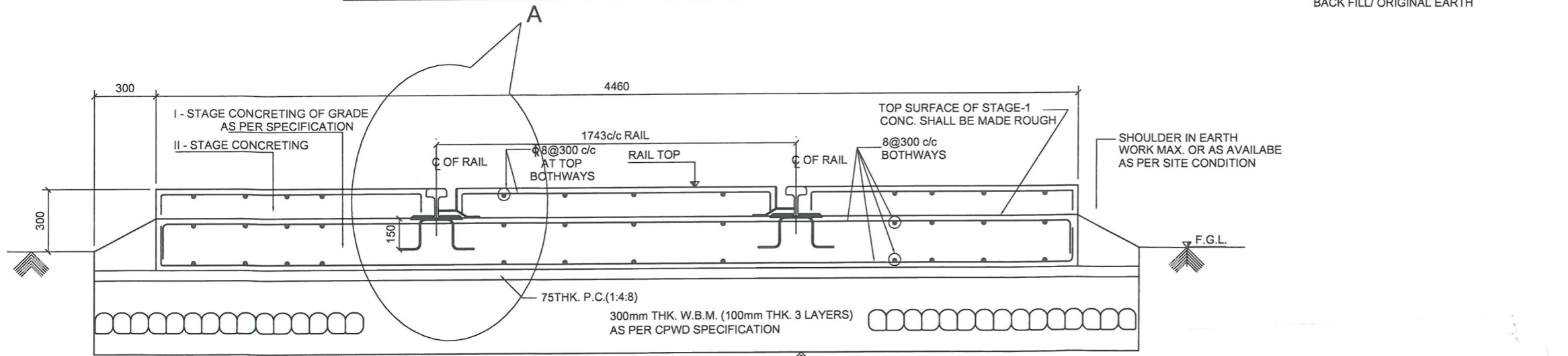


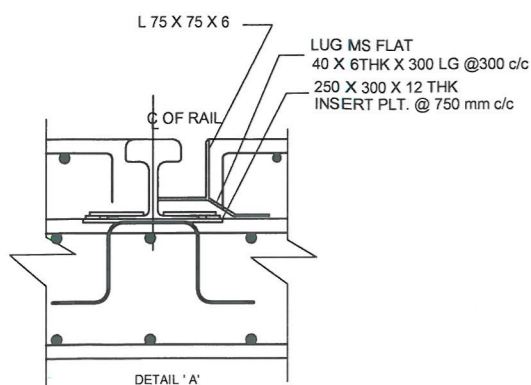
SECTIONAL DETAIL OF RAIL FOUNDATION(4 RAILS)



SECTIONAL DETAIL OF RAIL FOUNDATION (3 RAILS)



SECTIONAL DETAIL OF RAIL FOUNDATION (2RAILS)



RELEASED FOR TENDER/CONSTRUCTION.

APPROVED BY ED (ENGG.TL-SS-CIVIL) VIDE
NOTE REFERENCE NO. C/ENGG/STD.DRG.
/Civil Works/ 03/2016 DTD, 20.12.2016

NOTES:-

1. ALL DIMENSIONS ARE IN MM. & ELEVATIONS ARE IN METRE UNLESS NOTED OTHERWISE.
2. ALL STRUCTURAL CONCRETE SHALL BE OF GRADE AS PER SPECIFICATION.
3. ALL LEAN CONC. SHALL BE 75MM. THK. AND OF GRADE 1:4:8 (1 CEMENT:4 COARSE SAND: 8 GRADED STONE AGGREGATE OF 40MM NOMINAL SIZE)
4. ALL REINFORCEMENT STEEL BARS (DENOTED AS ϕ) SHALL CONFORM TO IS:1786-1985 OF GRADE AS PER SPECIFICATION.
5. UNLESS NOTED OTHERWISE LAP/ANCHOR LENGTH SHALL BE 50 TIMES THE DIA. OF BARS.
6. OTHER THAN RAIL SHALL BE PAINTED WITH SYNTHETIC ENAMEL PAINT.
7. SECOND STAGE CONCRETE SHALL BE DONE AFTER RAILS ARE FIXED IN POSITION.
8. RAIL@ 52KG/METER (MIN) TO BE USED.

POWER GRID CORPORATION
OF INDIA LIMITED
(A Government of India Enterprise)



TITLE:
STANDARD RAIL CUM ROAD

SUB TITLE:
DETAIL OF RAIL
CUM ROAD

DRAWING NO:
C/ENGG/CVL/STD/ RR/2016/01 OF 01

REV.	DESCRIPTION	PREP. JE(ENGG-CIVIL)	REVD. ACDE(ENGG-CIVIL)	REVD. CDE (ENGG-CIVIL)	REVD. ASTT.GM(ENGG-CIVIL)	REVD. AGM (ENGG-CIVIL)	APPD. GM (ENGG-CIVIL)	DATE
0.	REVISED AS MARKED							

SCALE
NTS
REV
0